



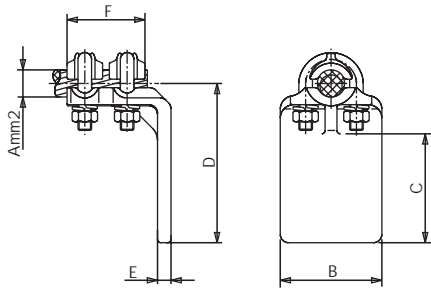
*BEND CONNECTORS*  
**CONECTORES ACODADOS**  
*RACCORDS COUDES*



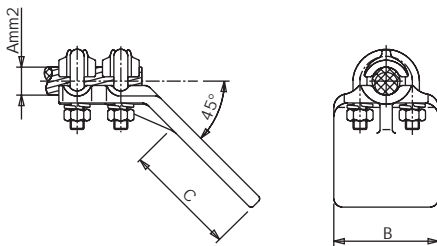
L CONNECTOR 90° FOR UNION CU. CABLE TO CU. FLATBAR

CONECTOR A 90° PARA UNIÓN CABLE CU. A PLETINA CU.

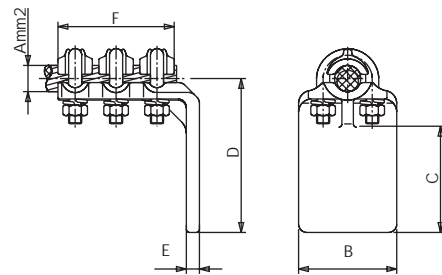
RACCORD À 90° POUR JONCTION CABLE CU. À BARRE MÉPLATE CU.



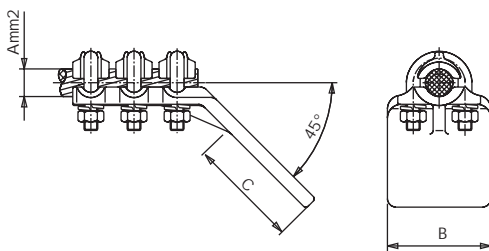
LCP



LCP45



LC3P



LC3P45

| Referencia<br>Code<br>Référence | mm <sup>2</sup> | mm. |     |     |    |    |      | Par de apriete<br>Tightening torque<br>Couple de serrage<br>(kg.m) |
|---------------------------------|-----------------|-----|-----|-----|----|----|------|--|
|                                 |                 | A   | B   | C   | D  | E  | F    |  |
| LCP-7011                        | 50-70           | 30  | 30  | 55  | 7  | 47 | 300  | 2  |
| LCP-7022                        | 50-70           | 40  | 40  | 65  | 7  | 47 | 300  | 2  |
| LCP-7033                        | 50-70           | 50  | 50  | 75  | 7  | 47 | 300  | 2  |
| LCP-7044                        | 50-70           | 60  | 60  | 85  | 7  | 47 | 300  | 2  |
| LCP-7055                        | 50-70           | 80  | 80  | 95  | 7  | 47 | 300  | 2  |
| LCP-7066                        | 50-70           | 100 | 100 | 105 | 7  | 47 | 300  | 2  |
| LCP-15022                       | 95-150          | 40  | 40  | 70  | 8  | 47 | 400  | 2  |
| LCP-15033                       | 95-150          | 50  | 50  | 80  | 8  | 47 | 400  | 2  |
| LCP-15044                       | 95-150          | 60  | 60  | 90  | 8  | 47 | 400  | 2  |
| LCP-15046                       | 95-150          | 60  | 100 | 130 | 8  | 47 | 400  | 2  |
| LCP-15055                       | 95-150          | 80  | 80  | 120 | 8  | 47 | 400  | 2  |
| LCP-15066                       | 95-150          | 100 | 100 | 130 | 8  | 47 | 400  | 2  |
| LCP-40022                       | 300-400         | 40  | 40  | 65  | 10 | 55 | 800  | 2  |
| LCP-40033                       | 300-400         | 50  | 50  | 75  | 10 | 55 | 800  | 2  |
| LCP-40044                       | 300-400         | 60  | 60  | 90  | 10 | 55 | 800  | 2  |
| LCP-40046                       | 300-400         | 60  | 80  | 130 | 10 | 55 | 800  | 2  |
| LCP-40055                       | 300-400         | 80  | 80  | 120 | 10 | 55 | 800  | 2  |
| LCP-40066                       | 300-400         | 100 | 100 | 130 | 10 | 55 | 800  | 2  |
| LCP-50044                       | 500             | 60  | 60  | 90  | 10 | 62 | 1250 | 3  |
| LCP-50046                       | 500             | 60  | 100 | 143 | 10 | 62 | 1250 | 3  |
| LCP-50055                       | 500             | 80  | 80  | 133 | 10 | 62 | 1250 | 3  |
| LCP-50066                       | 500             | 100 | 100 | 143 | 10 | 62 | 1250 | 3  |

| Referencia<br>Code<br>Référence | mm <sup>2</sup> | mm. |     |     |    |    |      | Par de apriete<br>Tightening torque<br>Couple de serrage<br>(kg.m) |
|---------------------------------|-----------------|-----|-----|-----|----|----|------|--|
|                                 |                 | A   | B   | C   | D  | E  | F    |  |
| LC3P-15022                      | 95-150          | 40  | 40  | 70  | 8  | 73 | 400  | 2  |
| LC3P-15033                      | 95-150          | 50  | 50  | 75  | 8  | 73 | 400  | 2  |
| LC3P-15044                      | 95-150          | 60  | 60  | 85  | 8  | 73 | 400  | 2  |
| LC3P-15035                      | 95-150          | 50  | 80  | 120 | 8  | 73 | 400  | 2  |
| LC3P-15055                      | 95-150          | 80  | 80  | 120 | 8  | 73 | 400  | 2  |
| LC3P-15066                      | 95-150          | 100 | 100 | 130 | 8  | 73 | 400  | 2  |
| LC3P-25022                      | 185-250         | 40  | 40  | 75  | 9  | 80 | 650  | 2  |
| LC3P-25033                      | 185-250         | 50  | 50  | 85  | 9  | 80 | 650  | 2  |
| LC3P-25044                      | 185-250         | 60  | 60  | 95  | 9  | 80 | 650  | 2  |
| LC3P-25035                      | 185-250         | 50  | 80  | 110 | 9  | 80 | 650  | 2  |
| LC3P-25055                      | 185-250         | 80  | 80  | 110 | 9  | 80 | 650  | 2  |
| LC3P-25066                      | 185-250         | 100 | 100 | 125 | 9  | 80 | 650  | 2  |
| LC3P-40022                      | 300-400         | 40  | 40  | 75  | 10 | 85 | 800  | 2  |
| LC3P-40033                      | 300-400         | 50  | 50  | 85  | 10 | 85 | 800  | 2  |
| LC3P-40035                      | 300-400         | 50  | 80  | 110 | 10 | 85 | 800  | 2  |
| LC3P-40044                      | 300-400         | 60  | 60  | 82  | 10 | 85 | 800  | 2  |
| LC3P-40055                      | 300-400         | 80  | 80  | 120 | 10 | 85 | 800  | 2  |
| LC3P-40066                      | 300-400         | 100 | 100 | 130 | 10 | 85 | 800  | 2  |
| LC3P-50033                      | 500             | 50  | 50  | 80  | 12 | 94 | 1250 | 3  |
| LC3P-50044                      | 500             | 60  | 60  | 90  | 12 | 94 | 1250 | 3  |
| LC3P-50035                      | 500             | 50  | 80  | 133 | 12 | 94 | 1250 | 3  |
| LC3P-50055                      | 500             | 80  | 80  | 133 | 12 | 94 | 1250 | 3  |
| LC3P-50066                      | 500             | 100 | 100 | 143 | 12 | 94 | 1250 | 3  |

NOTA: OTROS ÁNGULOS A INDICAR

NOTA: SPECIFY ANOTHER ANGLES

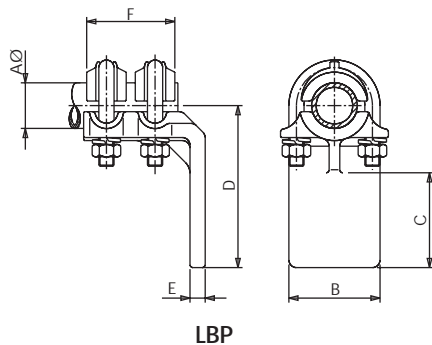
NOTA: D'AUTRES ANGLES À PRÉCISER



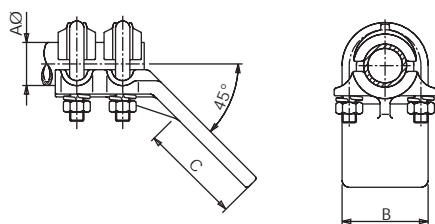
L CONNECTOR 90° FOR UNION CU.TUBE TO CU. FLATBAR

CONECTOR A 90° PARA TUBO CU. A PLETINA CU.

RACCORD À 90° POUR JONCTION TUBE CU. À BARRE MÉPLATE CU.



LBP



LBP45

| Referencia<br>Code<br>Référence | mm.        |     |     |     |    |    |      | Par de apriete<br>Tightening torque<br>Couple de serrage<br>(kg.m) |
|---------------------------------|------------|-----|-----|-----|----|----|------|--|
|                                 | A $\sigma$ | B   | C   | D   | E  | F  | INT. |  |
| LBP-2011                        | 20         | 30  | 30  | 65  | 10 | 53 | 400  | 2  |
| LBP-2022                        | 20         | 40  | 40  | 75  | 10 | 53 | 400  | 2  |
| LBP-2033                        | 20         | 50  | 50  | 85  | 10 | 53 | 400  | 2  |
| LBP-2044                        | 20         | 60  | 60  | 95  | 10 | 53 | 400  | 2  |
| LBP-2055                        | 20         | 80  | 80  | 115 | 10 | 53 | 400  | 2  |
| LBP-2511                        | 25         | 30  | 30  | 65  | 10 | 55 | 600  | 2  |
| LBP-2522                        | 25         | 40  | 40  | 75  | 10 | 55 | 600  | 2  |
| LBP-2533                        | 25         | 50  | 50  | 85  | 10 | 55 | 600  | 2  |
| LBP-2544                        | 25         | 60  | 60  | 85  | 10 | 55 | 600  | 2  |
| LBP-2555                        | 25         | 80  | 80  | 110 | 10 | 55 | 600  | 2  |
| LBP-3022                        | 30         | 40  | 40  | 75  | 10 | 62 | 900  | 3  |
| LBP-3033                        | 30         | 50  | 50  | 80  | 10 | 62 | 900  | 3  |
| LBP-3035                        | 30         | 50  | 80  | 133 | 10 | 62 | 900  | 3  |
| LBP-3044                        | 30         | 60  | 60  | 90  | 10 | 62 | 900  | 3  |
| LBP-3046                        | 30         | 60  | 100 | 143 | 10 | 62 | 900  | 3  |
| LBP-3055                        | 30         | 80  | 80  | 133 | 10 | 62 | 900  | 3  |
| LBP-3066                        | 30         | 100 | 100 | 143 | 10 | 62 | 900  | 3  |
| LBP-4022                        | 40         | 40  | 40  | 78  | 12 | 67 | 1000 | 3  |
| LBP-4033                        | 40         | 50  | 50  | 88  | 12 | 67 | 1000 | 3  |
| LBP-4035                        | 40         | 50  | 80  | 118 | 12 | 67 | 1000 | 3  |
| LBP-4044                        | 40         | 60  | 60  | 98  | 12 | 67 | 1000 | 3  |
| LBP-4055                        | 40         | 80  | 80  | 118 | 12 | 67 | 1000 | 3  |
| LBP-4066                        | 40         | 100 | 100 | 138 | 12 | 67 | 1000 | 3  |
| LBP-5033                        | 50         | 50  | 50  | 120 | 12 | 75 | 1250 | 3  |
| LBP-5035                        | 50         | 50  | 80  | 130 | 12 | 75 | 1250 | 3  |
| LBP-5044                        | 50         | 60  | 60  | 110 | 12 | 75 | 1250 | 3  |
| LBP-5055                        | 50         | 80  | 80  | 130 | 12 | 75 | 1250 | 3  |
| LBP-5066                        | 50         | 100 | 100 | 150 | 12 | 75 | 1250 | 3  |
| LBP-6055                        | 60         | 80  | 80  | 137 | 13 | 80 | 1250 | 3  |
| LBP-6066                        | 60         | 100 | 100 | 157 | 13 | 80 | 1250 | 3  |

NOTA: OTROS ÁNGULOS A INDICAR

NOTE: SPECIFY ANOTHER ANGLES

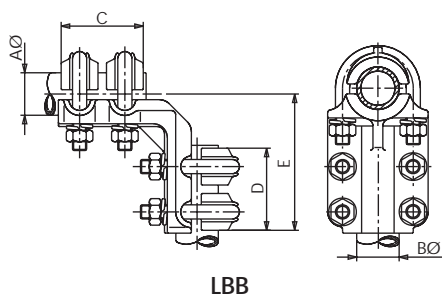
NOTA: D'AUTRES ANGLES À PRECISER



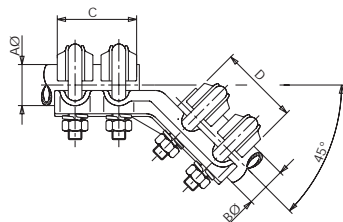
L CONNECTOR 90°/45° FOR CU. TUBE TO CU. STUD

CONECTOR A 90°/45° PARA TUBO A BORNA CU.

RACCORD À 90°/45° POUR TUBE CU. A BORNE



LBB



LBB45

| Referencia<br>Code<br>Référence | mm. |     |    |    |     | Par de apriete<br>Tightening torque<br>Couple de serrage<br>(kg.m) |   |
|---------------------------------|-----|-----|----|----|-----|--|---|
|                                 | A ø | B ø | C  | D  | E   | A  | B |
| LBB-2020                        | 20  | 20  | 52 | 52 | 80  | 2  | 2 |
| LBB-2025                        | 20  | 25  | 52 | 55 | 85  | 2  | 2 |
| LBB-2030                        | 20  | 30  | 52 | 62 | 100 | 2  | 3 |
| LBB-2530                        | 25  | 30  | 55 | 62 | 100 | 2  | 3 |
| LBB-2540                        | 25  | 40  | 55 | 67 | 101 | 2  | 3 |
| LBB-3030                        | 30  | 30  | 62 | 62 | 102 | 3  | 3 |
| LBB-3040                        | 30  | 40  | 62 | 67 | 103 | 3  | 3 |
| LBB-3050                        | 30  | 50  | 62 | 75 | 108 | 3  | 3 |
| LBB-3060                        | 30  | 60  | 62 | 80 | 110 | 3  | 3 |
| LBB-4040                        | 40  | 40  | 67 | 67 | 105 | 3  | 3 |
| LBB-4050                        | 40  | 50  | 67 | 75 | 109 | 3  | 3 |
| LBB-4060                        | 40  | 60  | 67 | 80 | 112 | 3  | 3 |
| LBB-5050                        | 50  | 50  | 75 | 75 | 120 | 3  | 3 |
| LBB-5060                        | 50  | 60  | 75 | 80 | 125 | 3  | 3 |
| LBB-6060                        | 60  | 60  | 80 | 80 | 130 | 3  | 3 |

NOTA: OTROS ÁNGULOS A INDICAR

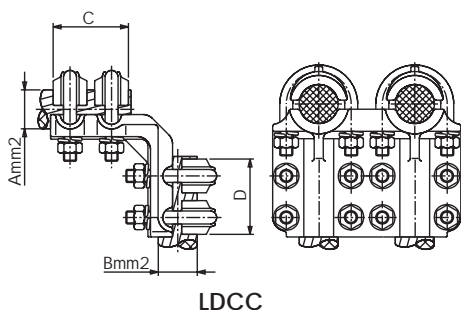
NOTE: SPECIFY ANOTHER ANGLES

NOTA: D'AUTRES ANGLES À PRÉCISER

90° BEND CONNECTOR FOR CU. DUPLEX CABLE

CONECTOR ACODADO A 90° PARA CABLES DUPLEX CU.

RACCORD COUDÉ À 90° POUR CABLES DUPLEX CU.



LDCC

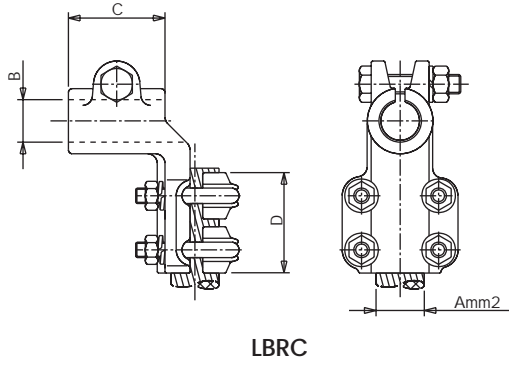
| Referencia<br>Code<br>Référence | mm <sup>2</sup> |         | mm. |    | Par de apriete<br>Tightening torque<br>Couple de serrage<br>(kg.m) |
|---------------------------------|-----------------|---------|-----|----|--|
|                                 | A               | B       | D   | E  |  |
| LDCC-150                        | 95-150          | 95-150  | 47  | 47 | 2  |
| LDCC-250                        | 180-250         | 180-250 | 52  | 52 | 2  |
| LDCC-400                        | 300-400         | 300-400 | 55  | 55 | 2  |
| LDCC-500                        | 500             | 500     | 62  | 62 | 3  |



BEND CONNECTOR FOR CU. SCREWED STUD TO CU. CABLE

CONECTOR ACODADO BORNA ROSCADA CU. A CABLE CU.

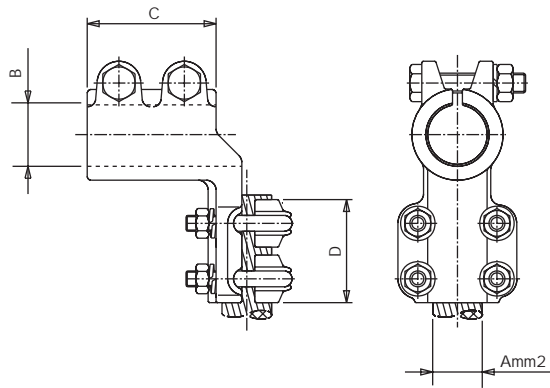
RACCORD COUDÉ BORNE VISSÉE CU. À CABLE CU.



LBRC

FIG.1

| Referencia<br>Code<br>Référence | mm <sup>2</sup><br>A | B     | mm.  |    |      | Par de apriete<br>Tightening torque<br>Couple de serrage<br>(kg.m) |   |
|---------------------------------|----------------------|-------|------|----|------|--|---|
|                                 |                      |       | C    | D  | INT  | A  | B |
|                                 | LBRC-M1070           | 50-70 | M-10 | 40 | 50   | 400  | 2 |
| LBRC-M10150                     | 95-150               | M-10  | 40   | 57 | 400  | 2  | 3 |
| LBRC-M1270                      | 50-70                | M-12  | 40   | 50 | 400  | 2  | 3 |
| LBRC-M12150                     | 95-150               | M-12  | 40   | 47 | 400  | 2  | 3 |
| LBRC-M12250                     | 180-250              | M-12  | 40   | 52 | 400  | 2  | 3 |
| LBRC-M16150                     | 95-150               | M-16  | 40   | 47 | 400  | 2  | 3 |
| LBRC-M16250                     | 180-250              | M-16  | 40   | 52 | 400  | 2  | 3 |
| LBRC-M16400                     | 300-400              | M-16  | 40   | 58 | 800  | 2  | 3 |
| LBRC-M16500                     | 500                  | M-16  | 40   | 62 | 1250 | 3  | 3 |
| LBRC-M20150                     | 95-150               | M-20  | 50   | 47 | 400  | 2  | 3 |
| LBRC-M20250                     | 180-250              | M-20  | 45   | 52 | 400  | 2  | 3 |
| LBRC-M20400                     | 300-400              | M-20  | 64   | 58 | 800  | 2  | 3 |
| LBRC-M20500                     | 500                  | M-20  | 64   | 62 | 1250 | 3  | 3 |



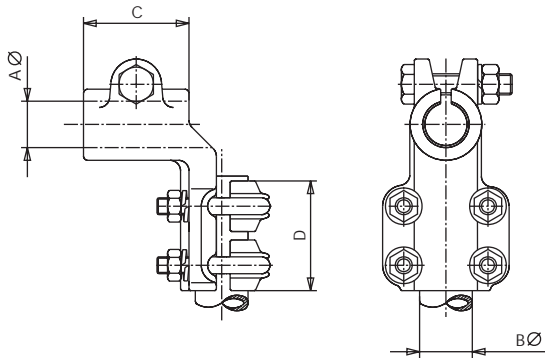
LBRC

FIG.2

|             |         |      |    |    |      |   |   |
|-------------|---------|------|----|----|------|---|---|
| LBRC-M30150 | 95-150  | M-30 | 65 | 47 | 400  | 3 | 2 |
| LBRC-M30250 | 180-250 | M-30 | 65 | 52 | 400  | 3 | 2 |
| LBRC-M30400 | 300-400 | M-30 | 65 | 58 | 800  | 3 | 2 |
| LBRC-M30500 | 500     | M-30 | 65 | 62 | 1250 | 3 | 3 |



**BEND CONNECTOR FOR CU. SCREWED STUD TO CU.TUBE**  
**CONECTOR ACODADO BORNA ROSCADA CU. A TUBO DE CU.**  
**RACCORD COUDÉ BORNE VISSÉE CU. À TUBE CU.**

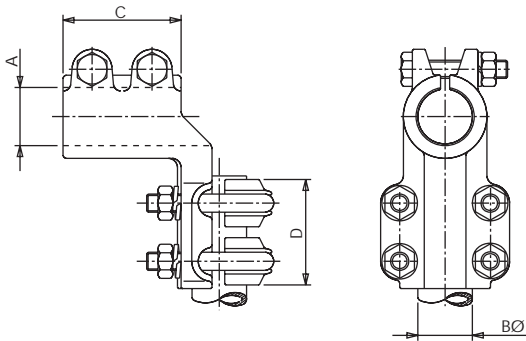


LBRB

FIG. 1

FIG.1

| Referencia<br>Code<br>Référence | A    | mm. |    |    |      | Par de apriete<br>Tightening torque<br>Couple de serrage<br>(kg.m) |   |
|---------------------------------|------|-----|----|----|------|--|---|
|                                 |      | Bø  | C  | D  | INT  | A  | B |
|                                 |      |     |    |    |      |  |   |
| LBRB-M1220                      | M-12 | 20  | 40 | 52 | 400  | 3  | 2 |
| LBRB-M1225                      | M-12 | 25  | 40 | 58 | 600  | 3  | 2 |
| LBRB-M1420                      | M-14 | 20  | 40 | 52 | 400  | 3  | 2 |
| LBRB-M1425                      | M-14 | 25  | 10 | 58 | 600  | 3  | 2 |
| LBRB-M1430                      | M-14 | 30  | 40 | 62 | 900  | 3  | 3 |
| LBRB-M1620                      | M-16 | 20  | 40 | 52 | 400  | 3  | 2 |
| LBRB-M1625                      | M-16 | 25  | 40 | 58 | 400  | 3  | 2 |
| LBRB-M1630                      | M-16 | 30  | 40 | 62 | 900  | 3  | 3 |
| LBRB-M1640                      | M-16 | 40  | 40 | 67 | 1000 | 3  | 3 |
| LBRB-M1650                      | M-16 | 50  | 40 | 75 | 1250 | 3  | 3 |
| LBRB-M2025                      | M-20 | 25  | 64 | 58 | 600  | 3  | 2 |
| LBRB-M2030                      | M-20 | 30  | 64 | 62 | 900  | 3  | 3 |
| LBRB-M2040                      | M-20 | 40  | 64 | 67 | 1000 | 3  | 3 |
| LBRB-M2050                      | M-20 | 50  | 64 | 75 | 1250 | 3  | 3 |



LBRB

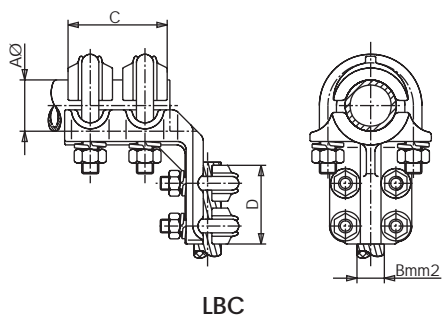
FIG. 2

|            |      |    |    |    |      |   |   |
|------------|------|----|----|----|------|---|---|
| LBRB-M3020 | M-30 | 20 | 65 | 52 | 400  | 3 | 2 |
| LBRB-M3025 | M-30 | 25 | 65 | 55 | 600  | 3 | 2 |
| LBRB-M3030 | M-30 | 30 | 65 | 62 | 900  | 3 | 3 |
| LBRB-M3040 | M-30 | 40 | 65 | 67 | 1000 | 3 | 3 |
| LBRB-M3050 | M-30 | 50 | 65 | 75 | 1250 | 3 | 3 |
| LBRB-M3060 | M-30 | 60 | 65 | 80 | 1250 | 3 | 3 |

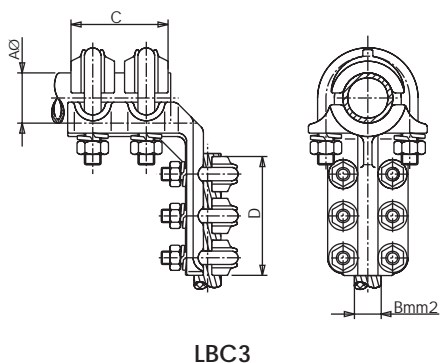
90° BEND CONNECTOR CU. TUBE/STUND TO CU.CABLE

CONECTOR ACODADO A 90° DE TUBO/BORNA CU. A CABLE CU.

RACCORD COUDÉ 90° DE TUBE/BORNE CU. À CABLE CU.



| Referencia<br>Code<br>Référence | A $\varnothing$ | mm <sup>2</sup> | mm. |    |      | Par de apriete<br>Tightening torque<br>Couple de serrage<br>(kg.m) |   |
|---------------------------------|-----------------|-----------------|-----|----|------|--|---|
|                                 |                 |                 | B   | C  | D    | INT  | A |
| LBC-60500                       | 60              | 500             | 80  | 62 | 1250 | 3  | 3 |
| LBC-60400                       | 60              | 300-400         | 80  | 55 | 800  | 3  | 2 |
| LBC-50500                       | 50              | 500             | 75  | 62 | 1250 | 3  | 3 |
| LBC-50400                       | 50              | 300-400         | 75  | 55 | 800  | 3  | 2 |
| LBC-50250                       | 50              | 180-250         | 75  | 52 | 600  | 3  | 2 |
| LBC-50150                       | 50              | 95-150          | 75  | 47 | 400  | 3  | 2 |
| LBC-40500                       | 40              | 500             | 67  | 62 | 1250 | 3  | 3 |
| LBC-40400                       | 40              | 300-400         | 67  | 55 | 800  | 3  | 2 |
| LBC-40250                       | 40              | 180-250         | 67  | 52 | 600  | 3  | 2 |
| LBC-40150                       | 40              | 95-150          | 67  | 47 | 400  | 3  | 2 |
| LBC-30500                       | 30              | 500             | 62  | 62 | 1250 | 3  | 3 |
| LBC-30400                       | 30              | 300-400         | 62  | 55 | 800  | 3  | 2 |
| LBC-30250                       | 30              | 180-250         | 62  | 52 | 600  | 3  | 2 |
| LBC-30150                       | 30              | 95-150          | 62  | 47 | 400  | 3  | 2 |
| LBC-3070                        | 30              | 50-70           | 62  | 47 | 300  | 3  | 2 |
| LBC-25150                       | 25              | 95-150          | 55  | 47 | 400  | 3  | 2 |
| LBC-2570                        | 25              | 50-70           | 55  | 47 | 300  | 3  | 2 |
| LBC-20150                       | 20              | 95-150          | 52  | 47 | 400  | 3  | 2 |
| LBC-2070                        | 20              | 50-70           | 52  | 47 | 300  | 3  | 2 |



|            |    |         |    |    |      |   |   |
|------------|----|---------|----|----|------|---|---|
| LBC3-60500 | 60 | 500     | 80 | 93 | 1250 | 3 | 3 |
| LBC3-60400 | 60 | 300-400 | 80 | 83 | 800  | 3 | 2 |
| LBC3-60250 | 60 | 180-250 | 80 | 78 | 600  | 3 | 2 |
| LBC3-60150 | 60 | 95-150  | 80 | 72 | 400  | 3 | 2 |
| LBC3-50500 | 50 | 500     | 75 | 93 | 1250 | 3 | 3 |
| LBC3-50400 | 50 | 300-400 | 75 | 83 | 800  | 3 | 2 |
| LBC3-50250 | 50 | 180-250 | 75 | 78 | 600  | 3 | 2 |
| LBC3-50150 | 50 | 95-150  | 75 | 72 | 400  | 3 | 2 |
| LBC3-40500 | 40 | 500     | 67 | 93 | 1250 | 3 | 3 |
| LBC3-40400 | 40 | 300-400 | 67 | 83 | 800  | 3 | 2 |
| LBC3-40250 | 40 | 180-250 | 67 | 78 | 600  | 3 | 2 |
| LBC3-40150 | 40 | 95-150  | 67 | 78 | 400  | 3 | 2 |
| LBC3-30500 | 30 | 500     | 62 | 93 | 1250 | 3 | 3 |
| LBC3-30400 | 30 | 300-400 | 62 | 83 | 800  | 3 | 2 |
| LBC3-30250 | 30 | 180-250 | 62 | 78 | 600  | 3 | 2 |
| LBC3-30150 | 30 | 95-150  | 62 | 72 | 400  | 3 | 2 |
| LBC3-25150 | 25 | 95-150  | 55 | 72 | 400  | 2 | 2 |
| LBC3-20150 | 20 | 95-150  | 52 | 72 | 400  | 2 | 2 |

NOTA: OTROS ÁNGULOS A INDICAR  
 NOTE: SPECIFY ANOTHER ANGLES  
 NOTA: D' AUTRES ANGLES À PRECISER

